

Dynapac CA2500 3.3 3A/T3 & 3B/T4i Cummins QSB 3.3

Parts Manual [CA2500D 3.3 \(IIIA/T3\) s/n 10000157xxA021227 - \(digabit.com\)](#)
[CA2500D 3.3 \(IIIB/T4i\) s/n 10000158xxA012422 - 14288 \(incl. 15065 - 17121,](#)
 Parts Manual [17880 - 81, 18200 - 01, 18810 - 11\), 18935 - 19387 \(digabit.com\)](#)

Service Kits & Lubricants

Service Interval	3A/T3	3B/T4i
	Service Kit Part Number	Service Kit Part Number
Intital 50 Hour Service Kit	4812156993	4812156993
500 Hour Service Kit	4812159464	4812159856
1000 Hour Service Kit	4812159466	4812159858
2000 Hour Service Kit	4812159469	4812159861

Lubricant	Part Number	Qty required at 500 Hour	Qty required at	Qty required at 2,000
		Service	1,000 Hour Service	Hour Service
Dynapac Engine Oil 200 (5L)	4812161855	2	N/A	2
Dynapac Gear Oil 300 (5L)	4812161883	N/A	N/A	2
Dynapac Gear Oil 300 (20L)	4812161884	N/A	N/A	N/A
Dynapac Coolant 100 (20L)	4812161854	N/A	N/A	2
Dynapac Hydraulic 300 (20L)	4812161868	N/A	N/A	3
Dynapac Drum Oil 1000 (5L)	4812161887	N/A	N/A	1

Service and maintenance points

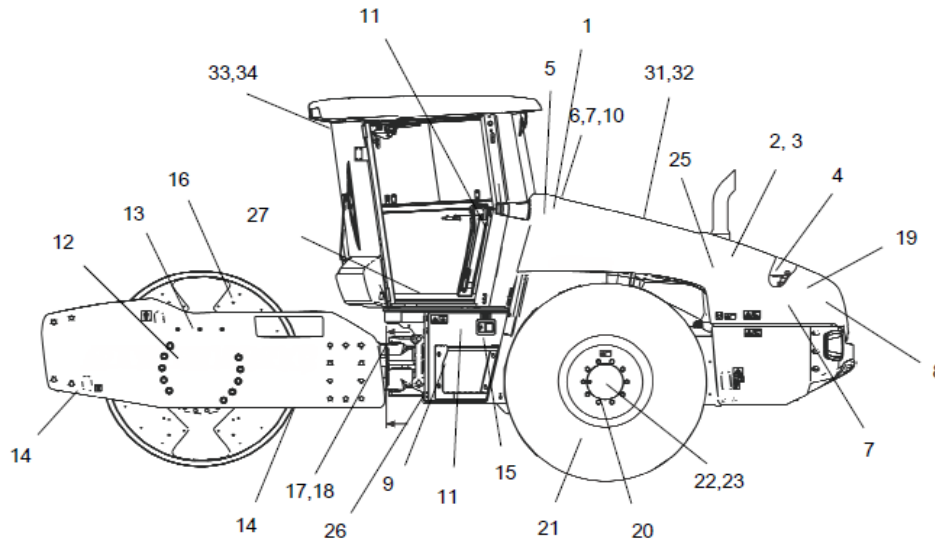


Fig. Service and maintenance points

- | | | |
|--|--|----------------------------|
| 1. Diesel fuel, filling | 14. Scrapers | 27. Seat bearing * |
| 2. Oil level, diesel engine | 15. Battery | 28. Steering chain * |
| 3. Fuel filter, fuel pre-filter | 16. Rubber elements and fastening screws | |
| 4. Air filter | 17. Steering hitch | |
| 5. Engine cover, hinges | 18. Steering cylinders, x2 | 31. Water cooler |
| 6. Hydraulic reservoir, sight glass | 19. Drive belts | 32. Hydraulic fluid cooler |
| 7. Bleeding filter | 20. Wheel nuts | 33. Fresh air filter * |
| 8. Hydraulic fluid filter, x1 | 21. Tires, pressure | 34. Air conditioning * |
| 9. Drainage, hydraulic fluid reservoir | 22. Rear axle, differential | |

- 10. Hydraulic fluid, filling
- 11. Fuse box(es), main fuses
- 12. Drum cartridge, filling, 2 fillers
- 13. Drum gearbox
- 23. Rear axle, planetary gears, 2 pcs.
- 25. Oil filter, diesel engine
- 26. Draining, fuel tank *

* Optional equipment



Service Maintenance Overview



Dynapac CA2500 3.3 3A/T3 & 3B/T4i

Repair Kits

CA2500						
4700945657	Eccentric shaft kit	Eccentric shaft kit (digabit.com)				
4812157275	Drum rotation kit	4812157275 Drum rotation kit (digabit.com)				
4812158581	Shock absorber kit, drum	4812158581 Shock absorber kit, drum (digabit.com)				

General Comments

Inspected By: _____ Signature: _____

To be used as a reference only, always refer to the applicable Operators & Maintenance manual for confirm of correct service kits, lubricants and inspection tasks.



Service Checklist 10 Hours (Daily)



Dynapac CA2500 3.3 3A/T3 & 3B/T4i

Machine Model: _____

Serial Number: _____

Hour Meter Reading: _____

Date of Inspection: _____

Required Service Kits & Lubricants

Nil Required Inspection Only

General Inspection Tasks

Task	OK	Not Ok	Comments
Check Light Functions, Work Lights, Beacon Light, etc.			
Check Function of Window Wipers			
Check Function of Air Conditioner and Heater			
Check Function of Back Up Alarm			
Check Function and Locking of All Doors and Windows			
Check Condition of Seat Belt and Mechanisms			
Check Function of Steering System			
Check Function of All Switches, Gauges and Indicators			
Check All Systems and Functions Operate as Per Operators Manual			
Check for Evidence of Leaks in Systems			
Check Drum Scraper Position and Adjustment			
Check & Clean Free Circulation of Cooling Air			
Check Function of Brake System			
Check Drum Shock Absorbers and Bolts			
Check Cab Mount Rubbers			
Check & Clean Battery Condition			
Check Tyre Pressures			
Check Level Engine Oil Top Up As Required			
Check Level Hydraulic Oil Top Up As Required			
Check Level Coolant Top Up As Required			
Check Main Engine Air Filter Element			
Check Safety Engine Air Filter Element			

General Comments

Inspected By: _____

Signature: _____



Service Checklist 10 Hours (Daily)



To be used as a reference only, always refer to the applicable Operators & Maintenance manual for confirm of correct service kits, lubricants and inspection tasks.

Service Checklist First 50 Hours



Dynapac CA2500 3.3 3A/T3 & 3B/T4i

Machine Model: _____

Serial Number: _____

Hour Meter Reading: _____

Date of Inspection: _____

Required Service Kits & Lubricants

Description	Part Number	Qty
Initial 50 Hour Service Kit	4812156993	
Nil Lubricants Needed (included in the above kit)		

General Inspection Tasks

Task	OK	Not Ok	Comments
Check Light Functions, Work Lights, Beacon Light, etc.			
Check Function of Window Wipers			
Check Function of Air Conditioner and Heater			
Check Function of Back Up Alarm			
Check Function and Locking of All Doors and Windows			
Check Condition of Seat Belt and Mechanisms			
Check Function of Steering System			
Check Function of All Switches, Gauges and Indicators			
Check All Systems and Functions Operate as Per Operators Manual			
Check for Evidence of Leaks in Systems			
Check Drum Scraper Position and Adjustment			
Check & Clean Free Circulation of Cooling Air			
Check Function of Brake System			
Check Drum Shock Absorbers and Bolts			
Check Cab Mount Rubbers			
Check & Clean Battery Condition			
Check Tyre Pressures			
Check Wheel Nut Tensions			
Check Level Engine Oil Top Up As Required			
Check Level Hydraulic Oil Top Up As Required			
Check Level Coolant Top Up As Required			
Check Main Engine Air Filter Element			
Check Safety Engine Air Filter Element			

Maintenance Tasks

Task	Completed (mark with X)	Comments
Replace Careridge Oil		
Replace Hydraulic Oil Filter		
Tighten Steering Hitch Tension Adjuster		



Service Checklist First 50 Hours



General Comments

Completed By: _____

Signature: _____

To be used as a reference only, always refer to the applicable Operators & Maintenance manual for confirm of correct service kits, lubricants and inspection tasks.



Service Maintenance Overview



Dynapac CA2500 3.3 3A/T3 & 3B/T4i

Machine Model: _____

Serial Number: _____

Hour Meter Reading: _____

Date of Inspection: _____

Required Service Kits & Lubricants

Nil Required Inspection Only

General Inspection Tasks

Task	OK	Not Ok	Comments
Check Light Functions, Work Lights, Beacon Light, etc.			
Check Function of Window Wipers			
Check Function of Air Conditioner and Heater			
Check Function of Back Up Alarm			
Check Function and Locking of All Doors and Windows			
Check Condition of Seat Belt and Mechanisms			
Check Function of Steering System			
Check Function of All Switches, Gauges and Indicators			
Check All Systems and Functions Operate as Per Operators Manual			
Check for Evidence of Leaks in Systems			
Check Drum Scraper Position and Adjustment			
Check & Clean Free Circulation of Cooling Air			
Check Function of Brake System			
Check Drum Shock Absorbers and Bolts			
Check Cab Mount Rubbers			
Check & Clean Battery Condition			
Check Tyre Pressures			
Check Wheel Nut Tensions			
Check Level Engine Oil Top Up As Required			
Check Level Hydraulic Oil Top Up As Required			
Check Level Coolant Top Up As Required			
Check Drum Oil Top Up As Required			
Check Rear Axle Oil Top Up As Required			
Check Rear Planetary Gear Oil (Left & Right) Top Up As Required			
Check Main Engine Air Filter Element			
Check Safety Engine Air Filter Element			



Service Maintenance Overview



General Comments

Inspected By: _____

Signature: _____

To be used as a reference only, always refer to the applicable Operators & Maintenance manual for confirm of correct service kits, lubricants and inspection tasks.



Service Checklist 500 Hours



Dynapac CA2500 3.3 3A/T3 & 3B/T4i

Machine Model: _____

Serial Number: _____

Hour Meter Reading: _____

Date of Inspection: _____

Required Service Kits & Lubricants

Description	Part Number	Qty
500 Hour Service Kit	4812159464	1
Dynapac Engine Oil 200 (5L)	4812161855	2

General Inspection Tasks

Task	OK	Not Ok	Comments
Check Light Functions, Work Lights, Beacon Light, etc.			
Check Function of Window Wipers			
Check Function of Air Conditioner and Heater			
Check Function of Back Up Alarm			
Check Function and Locking of All Doors and Windows			
Check Condition of Seat Belt and Mechanisms			
Check Function of Steering System			
Check Function of All Switches, Gauges and Indicators			
Check All Systems and Functions Operate as Per Operators			
Check Evidence of Leaks in Systems			
Check Drum Scraper Position and Adjustment			
Check & Clean Free Circulation of Cooling Air			
Check Function of Brake System			
Check Drum Shock Absorbers and Bolts			
Check Cab Mount Rubbers			
Check & Clean Battery Condition			
Check Tyre Pressures			
Check Wheel Nut Tensions			
Check Level Hydraulic Oil Top Up As Required			
Check Level Coolant Top Up As Required			
Check Drum Oil Top Up As Required			
Check Rear Axle Oil Top Up As Required			
Check Rear Planetary Gear Oil (Left & Right) Top Up As Required			
Check Drum Drive Gearbox Oil Top Up As Required			
Check Safety Engine Air Filter Element			
Check Breather Filter on Hydraulic Reservoir			
Check Cab Air Filter, Replace as Required (Optional)			



Service Checklist 500 Hours



Maintenance Tasks

Task	Completed (mark with X)	Comments
Replace Engine Oil		
Replace Fuel Filter		
Replace Fuel Pre-Filter		
Replace Engine Oil Filter		
Replace Main Engine Air Filter Element		
Grease Controls and Joints		
Grease Seat Bearing/Steering Chain		
Check (First 500 Only) Engine Valve Clearance		

General Comments

Inspected By: _____

Signature: _____

To be used as a reference only, always refer to the applicable Operators & Maintenance manual for confirm of correct service kits, lubricants and inspection tasks.



Service Checklist 1,000 Hours



Dynapac CA2500 3.3 3A/T3 & 3B/T4i

Machine Model: _____

Serial Number: _____

Hour Meter Reading: _____

Date of Inspection: _____

Required Service Kits & Lubricants

Description	Part Number	Qty
1000 Hour Service Kit	4812159466	1
Dynapac Engine Oil 200 (5L)	4812161855	N/A
Dynapac Gear Oil 300 (5L)	4812161883	N/A

General Inspection Tasks

Task	OK	Not Ok	Comments
Check Light Functions, Work Lights, Beacon Light, etc.			
Check Function of Window Wipers			
Check Function of Air Conditioner and Heater			
Check Function of Back Up Alarm			
Check Function and Locking of All Doors and Windows			
Check Condition of Seat Belt and Mechanisms			
Check Function of Steering System			
Check Function of All Switches, Gauges and Indicators			
Check All Systems and Functions Operate as Per Operators			
Check Evidence of Leaks in Systems			
Check Drum Scraper Position and Adjustment			
Check & Clean Free Circulation of Cooling Air			
Check Function of Brake System			
Check Drum Shock Absorbers and Bolts			
Check Cab Mount Rubbers			
Check & Clean Battery Condition			
Check Tyre Pressures			
Check Wheel Nut Tensions			
Check Level Hydraulic Oil Top Up As Required			
Check Level Coolant Top Up As Required			
Check Drum Oil Top Up As Required			
Check Breather Filter on Hydraulic Reservoir			
Check Cab Air Filter, Replace as Required (Optional)			

Maintenance Tasks

Task	Completed (mark with X)	Comments
Replace Engine Oil		
Replace Rear Axle Oil		
Replace Rear Planetary Gear Oil (Left & Right)		
Replace Drum Drive Gearbox Oil		



Service Checklist 1,000 Hours



Task Continued	Completed (mark with X)	Comments
Replace Fuel Filter		
Replace Fuel Pre-Filter		
Replace Engine Oil Filter		
Replace Hydraulic Oil Filter		
Replace Main Engine Air Filter Element		
Replace Safety Engine Air Filter Element		
Grease Controls and Joints		
Grease Seat Bearing/Steering Chain		
Drain Condensate in Hydraulic Reservoir		
Drain Condensate in Fuel Tank		
Check Engine Drive Belt		
Tighten Steering Hitch Tension Adjuster		

General Comments

Inspected By: _____

Signature: _____

To be used as a reference only, always refer to the applicable Operators & Maintenance manual for confirm of correct service kits, lubricants and inspection tasks.



Service Checklist 2,000 Hours



Dynapac CA2500 3.3 3A/T3 & 3B/T4i

Machine Model: _____

Serial Number: _____

Hour Meter Reading: _____

Date of Inspection: _____

Required Service Kits & Lubricants

Description	Part Number	Qty
2000 Hour Service Kit	4812159469	1
Dynapac Engine Oil 200 (5L)	4812161855	2
Dynapac Gear Oil 300 (5L)	4812161883	2
Dynapac Gear Oil 300 (20L)	4812161884	N/A
Dynapac Coolant 100 (20L)	4812161854	2
Dynapac Hydraulic 300 (20L)	4812161868	2

General Inspections

Task	OK	Not Ok	Comments
Check Light Functions, Work Lights, Beacon Light, etc.			
Check Function of Window Wipers			
Check Function of Air Conditioner and Heater			
Check Function of Back Up Alarm			
Check Function and Locking of All Doors and Windows			
Check Condition of Seat Belt and Mechanisms			
Check Function of Steering System			
Check Function of All Switches, Gauges and Indicators			
Check All Systems and Functions Operate as Per Operators Manual			
Check Evidence of Leaks in Systems			
Check Drum Scraper Position and Adjustment			
Check & Clean Free Circulation of Cooling Air			
Check Function of Brake System			
Check Drum Shock Absorbers and Bolts			
Check Cab Mount Rubbers			
Check & Clean Battery Condition			
Check Tyre Pressures			
Check Wheel Nut Tensions			
Check Cab Air Filter, Replace as Required (Optional)			

2,000 Hour Service Checklist

Task	Completed (mark with X)	Comments
Replace Engine Oil		
Replace Cartridge Oil		
Replace Hydraulic Oil		



Service Checklist 2,000 Hours



Task Continued	Completed (mark with X)	Comments
Replace Coolant		
Replace Rear Axle Oil		
Replace Rear Planetary Gear Oil (Left & Right)		
Replace Fuel Filter		
Replace Fuel Pre-Filter		
Replace Engine Oil Filter		
Replace Hydraulic Oil Filter		
Replace Main Engine Air Filter Element		
Replace Safety Engine Air Filter Element		
Replace Breather Filter on Hydraulic Reservoir		
Grease Controls and Joints		
Grease Seat Bearing/Steering Chain		
Drain Condensate in Hydraulic Reservoir		
Drain Condensate in Fuel Tank		
Check Engine Drive Belt		
Tighten Steering Hitch Tension Adjuster		
Check Engine Valve Clearance		
(Optional)		

General Comments

Inspected By: _____

Signature: _____

To be used as a reference only, always refer to the applicable Operators & Maintenance manual for confirm of correct service kits, lubricants and inspection tasks.

