

# Service Maintenance Overview

## Dynapac CC1100VI-CC1400VI T4f

Part books

CC1100-1200 <https://documoto.digabit.com/ui/book/300694/chapter:16499469>

### Service Kits & Lubricants

CC1400 <https://documoto.digabit.com/ui/book/679234>

#### CC1100-1200

Service Interval	Service Kit Part Number
Intital 50 Hour Service Kit	4812161674
250 Hour Service Kit	4812160462
500 Hour Service Kit	4812161684
1000 Hour Service Kit	4812161686
2000 Hour Service Kit	4812161686

#### CC1300-1400

Service Interval	Service Kit Part Number
Intital 50 Hour Service Kit	4812161674
250 Hour Service Kit	4812160462
500 Hour Service Kit	4812163653
1000 Hour Service Kit	4812163655
2000 Hour Service Kit	4812163655

Lubricant	Part Number	Qty required at			
		250 Hour Service	500 Hour Service	1,000 Hour Service	2,000 Hour Service
Dynapac Engine Oil 200 (5L)	4812161855	2	2	2	:
Dynapac Gear Oil 300 (5L)	4812161883	N/A	N/A	N/A	:
Dynapac Coolant 100 (20L)	4812161854	N/A	N/A	N/A	:
Dynapac Hydraulic 300 (20L)	4812161868	N/A	N/A	N/A	:

### Service and maintenance points

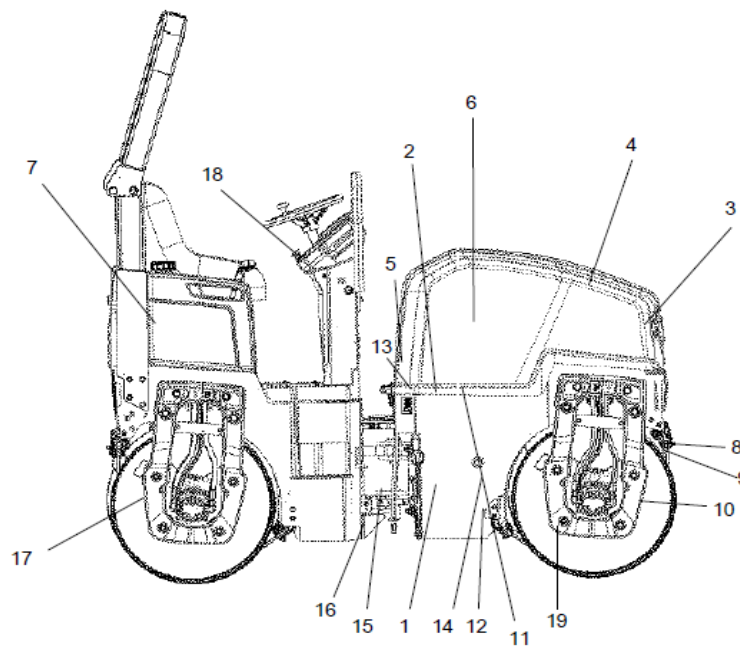


Fig. Service and maintenance points

- |                  |   |                                 |
|------------------|---|---------------------------------|
| 1. Fuel tank     | 8. Sprinkler system                       | 15. Steering joint              |
| 2. Refueling     | 9. Scrapers                               | 16. Steering cylinder, bearings |
| 3. Cooler        | 10. Shock absorbers and attachment screws | 17. Filler/Level plug, Drum     |
| 4. Air cleaner   | 11. Hydraulic fluid refilling             | 18. Emergency stop              |
| 5. Battery       | 12. Hydraulic fluid tank                  | 19. Edge cutter                 |
| 6. Diesel engine | 13. Hydraulic fluid filter                |                                 |
| 7. Water tank    | 14. Hydraulic fluid level glass           |                                 |



quired at  
ur Service

2  
1  
1  
3



# Service Maintenance Overview

## Dynapac CC1100VI-CC1400VI

### Repair Kits

CC1100-CC1200		
Eccentric shaft kit	4700938908	<a href="https://documoto.digabit.com/ui/book/300694/chapter:16499469">https://documoto.digabit.com/ui/book/300694/chapter:16499469</a>
Drum rotation kit	4700938892	<a href="https://documoto.digabit.com/ui/book/300694/chapter:16499469">https://documoto.digabit.com/ui/book/300694/chapter:16499469</a>
Shock absorber kit, drum	4812162273	<a href="https://documoto.digabit.com/ui/book/300694/chapter:16499469">https://documoto.digabit.com/ui/book/300694/chapter:16499469</a>
Scraper kit CC1100 VI	4812162272	<a href="https://documoto.digabit.com/ui/book/300694/chapter:16499469">https://documoto.digabit.com/ui/book/300694/chapter:16499469</a>
Scraper kit CC1200 VI	4812162274	<a href="https://documoto.digabit.com/ui/book/301482/chapter:16563707">https://documoto.digabit.com/ui/book/301482/chapter:16563707</a>

CC1400		
Eccentric shaft kit	4812163669	<a href="https://documoto.digabit.com/ui/book/679234/chapter:22391382">https://documoto.digabit.com/ui/book/679234/chapter:22391382</a>
Drum rotation kit	4812163668	<a href="https://documoto.digabit.com/ui/book/679234/chapter:22391382">https://documoto.digabit.com/ui/book/679234/chapter:22391382</a>
Shock absorber kit, drum	4812163662	<a href="https://documoto.digabit.com/ui/book/679234/chapter:22391382">https://documoto.digabit.com/ui/book/679234/chapter:22391382</a>
Scraper kit CC1100 VI	4812163699	<a href="https://documoto.digabit.com/ui/book/679234/chapter:22391382">https://documoto.digabit.com/ui/book/679234/chapter:22391382</a>
Scraper kit CC1200 VI	4812162665	<a href="https://documoto.digabit.com/ui/book/679234/chapter:22391382">https://documoto.digabit.com/ui/book/679234/chapter:22391382</a>

### General Comments

Inspected By: \_\_\_\_\_ Signature: \_\_\_\_\_

To be used as a reference only, always refer to the applicable Operators & Maintenance manual for confirm of correct service kits, lubricants and inspection tasks.



# Service Checklist 10 Hours (Daily)



## Dynapac CC1100VI-CC1400VI T4f

Machine Model: \_\_\_\_\_

Serial Number: \_\_\_\_\_

Hour Meter Reading: \_\_\_\_\_

Date of Inspection: \_\_\_\_\_

### Required Service Kits & Lubricants

Nil Required Inspection Only

### General Inspection Tasks

Task	OK	Not Ok	Comments
Check Light Functions, Work Lights, Beacon Light, etc.			
Check Function of Back Up Alarm			
Check Condition of Seat Belt and Mechanisms			
Check Function of Steering System			
Check Function of All Switches, Gauges and Indicators			
Check All Systems and Functions Operate as Per Operators Manual			
Check Evidence of Leaks in Systems			
Check Drum Scraper Position and Adjustment			
Check Sprinkler System Function			
Check & Clean Free Circulation of Cooling Air			
Check Function of Brake System			
Check Drum Shock Absorbers and Bolts			
Check Platform Mount Rubbers			
Check & Clean Battery Condition			
Check Level Engine Oil Top Up As Required			
Check Level Hydraulic Oil Top Up As Required			
Check Level Coolant Top Up As Required			
Check Main Engine Air Filter Element			
Check Safety Engine Air Filter Element			

### General Comments

Inspected By: \_\_\_\_\_

Signature: \_\_\_\_\_

To be used as a reference only, always refer to the applicable Operators & Maintenance manual for confirm of correct service kits, lubricants and inspection tasks.



# Service Checklist First 50 Hours



## Dynapac CC1100VI-CC1400VI T4f

Machine Model: \_\_\_\_\_

Serial Number: \_\_\_\_\_

Hour Meter Reading: \_\_\_\_\_

Date of Inspection: \_\_\_\_\_

### Required Service Kits & Lubricants

Description	Part Number	Qty
Initial 50 Hour Service Kit	4812161674	1
Dynapac Engine Oil 200 (5L)	4812161855	2

### General Inspection Tasks

Task	OK	Not Ok	Comments
Check Light Functions, Work Lights, Beacon Light, etc.			
Check Function of Back Up Alarm			
Check Condition of Seat Belt and Mechanisms			
Check Function of Steering System			
Check Function of All Switches, Gauges and Indicators			
Check All Systems and Functions Operate as Per Operators Manual			
Check Evidence of Leaks in Systems			
Check Drum Scraper Position and Adjustment			
Check Sprinkler System Function			
Check & Clean Free Circulation of Cooling Air			
Check Function of Brake System			
Check Drum Shock Absorbers and Bolts			
Check Platform Mount Rubbers			
Check & Clean Battery Condition			
Check Level Hydraulic Oil			
Check Level Coolant			
Check Main Engine Air Filter Element			
Check Safety Engine Air Filter Element			

### Maintenance Tasks

Task	Completed (mark with X)	Comments
Replace Engine Oil		
Replace Engine Oil Filter		
Replace Hydraulic Oil Filter		

### General Comments

Completed By: \_\_\_\_\_

Signature: \_\_\_\_\_



# Service Checklist First 50 Hours



To be used as a reference only, always refer to the applicable Operators & Maintenance manual for confirm of correct service kits, lubricants and inspection tasks.



# Service Maintenance Overview



## Dynapac CC1100VI-CC1400VI T4f

Machine Model: \_\_\_\_\_

Serial Number: \_\_\_\_\_

Hour Meter Reading: \_\_\_\_\_

Date of Inspection: \_\_\_\_\_

### Required Service Kits & Lubricants

Description	Part Number	Qty
250 Hour Service Kit	4812160462	1
Dynapac Engine Oil 200 (5L)	4812161855	2

### General Inspection Tasks

Task	OK	Not Ok	Comments
Check Light Functions, Work Lights, Beacon Light, etc.			
Check Function of Back Up Alarm			
Check Condition of Seat Belt and Mechanisms			
Check Function of Steering System			
Check Function of All Switches, Gauges and Indicators			
Check All Systems and Functions Operate as Per Operators Manual			
Check Evidence of Leaks in Systems			
Check Drum Scraper Position and Adjustment			
Check Sprinkler System Function			
Check & Clean Free Circulation of Cooling Air			
Check Function of Brake System			
Check Drum Shock Absorbers and Bolts			
Check Platform Mount Rubbers			
Check & Clean Battery Condition			
Check Level Hydraulic Oil Top Up As Required			
Check Level Coolant Top Up As Required			
Check Main Engine Air Filter Element			
Check Safety Engine Air Filter Element			

### Maintenance Tasks

Task	Completed (mark with X)	Comments
Replace Engine Oil		
Replace Engine Oil Filter		
Grease Controls and Joints		
Check Engine Drive Belt		
Check Cooler Hoses and Clamps		
Check Intake Hoses and Clamps		





## General Comments

Inspected By: \_\_\_\_\_

Signature: \_\_\_\_\_

To be used as a reference only, always refer to the applicable Operators & Maintenance manual for confirm of correct service kits, lubricants and inspection tasks.



# Service Checklist 500 Hours



## Dynapac CC1100VI-CC1400VI T4f

Machine Model: \_\_\_\_\_

Serial Number: \_\_\_\_\_

Hour Meter Reading: \_\_\_\_\_

Date of Inspection: \_\_\_\_\_

### Required Service Kits & Lubricants

#### CC1100-1200

Description	Part Number	Qty
500 Hour Service Kit	4812161684	1
Dynapac Engine Oil 200 (5L)	4812161855	2

#### CC1300-1400

Description	Part number	Qty
500 Hour Service kit	4812163653	1

### General Inspection Tasks

Task	OK	Not Ok	Comments
Check Light Functions, Work Lights, Beacon Light, etc.			
Check Function of Back Up Alarm			
Check Condition of Seat Belt and Mechanisms			
Check Function of Steering System			
Check Function of All Switches, Gauges and Indicators			
Check All Systems and Functions Operate as Per Operators Manual			
Check Evidence of Leaks in Systems			
Check Drum Scraper Position and Adjustment			
Check Sprinkler System Function			
Check & Clean Free Circulation of Cooling Air			
Check Function of Brake System			
Check Drum Shock Absorbers and Bolts			
Check Platform Mount Rubbers			
Check & Clean Battery Condition			
Check Level Hydraulic Oil Top Up As Required			
Check Level Coolant Top Up As Required			
Check Level Drum Oil (Front & Rear) Top Up As Required			
Check Safety Engine Air Filter Element			
Check Breather Filter on Hydraulic Reservoir			

### Maintenance Tasks

Task	Completed (mark with X)	Comments
Replace Engine Oil		
Replace Fuel Filter		
Replace Fuel Pre-Filter		
Replace Engine Oil Filter		
Replace Main Engine Air Filter Element		



# Service Checklist 500 Hours



Grease Controls and Joints		
Grease Articulation Point and Steering		

Task Continued	Completed (mark with X)	Comments
Check Cooler Hoses and Clamps		
Check Intake Hoses and Clamps		
Drain Condensate in Fuel Tank		
Replace Engine Drive Belt		

## General Comments

Inspected By: \_\_\_\_\_

Signature: \_\_\_\_\_

To be used as a reference only, always refer to the applicable Operators & Maintenance manual for confirm of correct service kits, lubricants and inspection tasks.



# Service Checklist 1,000 Hours



## Dynapac CC1100VI-CC1400VI T4f

Machine Model: \_\_\_\_\_

Serial Number: \_\_\_\_\_

Hour Meter Reading: \_\_\_\_\_

Date of Inspection: \_\_\_\_\_

### Required Service Kits & Lubricants

#### CC1100-1200

Description	Part Number	Qty
1000 Hour Service Kit	4812161686	1
Dynapac Engine Oil 200 (5L)	4812161855	2

#### CC1300-1400

Description	Part Number	Qty
1000 Hour service kit	4812163655	1
Dynapac Engine Oil 200 (5L)	4812161855	2

### General Inspection Tasks

Task	OK	Not Ok	Comments
Check Light Functions, Work Lights, Beacon Light, etc.			
Check Function of Back Up Alarm			
Check Condition of Seat Belt and Mechanisms			
Check Function of Steering System			
Check Function of All Switches, Gauges and Indicators			
Check All Systems and Functions Operate as Per Operators Manual			
Check Evidence of Leaks in Systems			
Check Drum Scraper Position and Adjustment			
Check Sprinkler System Function			
Check & Clean Free Circulation of Cooling Air			
Check Function of Brake System			
Check Drum Shock Absorbers and Bolts			
Check Platform Mount Rubbers			
Check & Clean Battery Condition			
Check Level Hydraulic Oil Top Up As Required			
Check Level Coolant Top Up As Required			
Check Level Drum Oil (Front & Rear) Top Up As Required			
Check Breather Filter on Hydraulic Reservoir			

### Maintenance Tasks

Task	Completed (mark with X)	Comments
Replace Engine Oil		
Replace Fuel Filter		
Replace Fuel Pre-Filter		
Replace Engine Oil Filter		
Replace Hydraulic Oil Filter		
Replace Main Engine Air Filter Element		
Replace Safety Engine Air Filter Element		
Grease Controls and Joints		



# Service Checklist 1,000 Hours



Grease Articulation Point and Steering		
Check Cooler Hoses and Clamps		

Task Continued	Completed (mark with X)	Comments
Check Intake Hoses and Clamps		
Drain Condensate in Hydraulic Reservoir		
Drain Condensate in Fuel Tank		
Replace Engine Drive Belt		
Check Engine Valve Clearance		

## General Comments

Inspected By: \_\_\_\_\_

Signature: \_\_\_\_\_

To be used as a reference only, always refer to the applicable Operators & Maintenance manual for confirm of correct service kits, lubricants and inspection tasks.



# Service Checklist 2,000 Hours



## Dynapac CC1100VI-CC1400VI T4f

Machine Model: \_\_\_\_\_

Serial Number: \_\_\_\_\_

Hour Meter Reading: \_\_\_\_\_

Date of Inspection: \_\_\_\_\_

### Required Service Kits & Lubricants

#### CC1100-1200

Description	Part Number	Qty
1000 Hour Service Kit	4812161686	1
Dynapac Engine Oil 200 (5L)	4812161855	2
Dynapac Gear Oil 300 (5L)	4812161883	1
Dynapac Coolant 100 (20L)	4812161854	1
Dynapac Hydraulic 300 (20L)	4812161868	3

#### CC1300-1400

Description	Part Number	Qty
1000 Hour Service kit	4812163655	1
Dynapac Engine Oil 200	4812161855	2
Dynapac Gear Oil 300 (5	4812161883	2
Dynapac Coolant 100 (2	4812161854	1
Dynapac Hydraulic 300 (	4812161868	2

### General Inspections

Task	OK	Not Ok	Comments
Check Light Functions, Work Lights, Beacon Light, etc.			
Check Function of Back Up Alarm			
Check Condition of Seat Belt and Mechanisms			
Check Function of Steering System			
Check Function of All Switches, Gauges and Indicators			
Check All Systems and Functions Operate as Per Operators Manual			
Check Evidence of Leaks in Systems			
Check Drum Scraper Position and Adjustment			
Check Sprinkler System Function			
Check & Clean Free Circulation of Cooling Air			
Check Function of Brake System			
Check Drum Shock Absorbers and Bolts			
Check Platform Mount Rubbers			
Check & Clean Battery Condition			

### 2,000 Hour Service Checklist

Task	Completed (mark with X)	Comments
Replace Engine Oil		
Replace Hydraulic Oil		
Replace Coolant		
Replace Drum Oil (Front & Rear)		
Replace Fuel Filter		
Replace Fuel Pre-Filter		
Replace Engine Oil Filter		
Replace Hydraulic Oil Filter		



# Service Checklist 2,000 Hours



Replace Main Engine Air Filter Element		
--	--	--

Task Continued	Completed (mark with X)	Comments
Replace Safety Engine Air Filter Element		
Replace Breather Filter on Hydraulic Reservoir		
Grease Controls and Joints		
Grease Articulation Point and Steering		
Check Cooler Hoses and Clamps		
Check Intake Hoses and Clamps		
Drain Condensate in Hydraulic Reservoir		
Drain Condensate in Fuel Tank		
Drain & Clean Water Tank		
Replace Engine Drive Belt		
Check Engine Valve Clearance		

## General Comments

Inspected By: \_\_\_\_\_

Signature: \_\_\_\_\_

To be used as a reference only, always refer to the applicable Operators & Maintenance manual for confirm of correct service kits, lubricants and inspection tasks.

