

Dynapac CC4000VI-CC5200VI Cummins (IV/T4f)

Parts book

[CC4000 VI \(IV/T4F\) s/n 10000401xxA024156- \(digabit.com\)](#)

[CC5200 VI \(IV/T4F\) s/n 10000386xxA019539 - \(digabit.com\)](#)

Service Kits & Lubricants

Service Interval	Service Kit Part Number
Intital 50 Hour Service Kit	4812160752
500 Hour Service Kit	4812161474
1000 Hour Service Kit	4812161475
2000 Hour Service Kit	4812161476

Lubricant	Part Number	Qty required at			
		50 Hour Service	500 Hour Service	at 1,000 Hour Service	2,000 Hour Service
Dynapac Engine Oil 200 (5L)	4812161855	N/A	3	3	3
Dynapac Coolant 100 (20L)	4812161854	N/A	N/A	N/A	2
Dynapac Hydraulic 300 (20L)	4812161868	N/A	N/A	N/A	4
Dynapac Drum Oil 1000 (5L)	4812161887	N/A	N/A	6	6

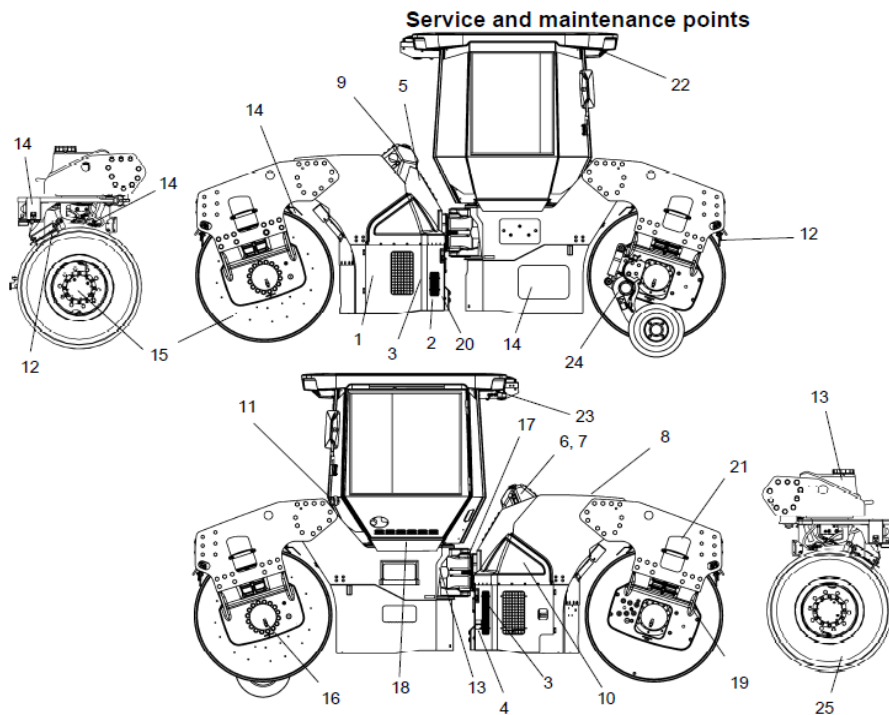


Fig. Service and maintenance points

- | | | |
|-----------------------------|----------------------------|---------------------|
| 1. Engine oil | 9. Coolant | 17. Steering joint |
| 2. Oil filter | 10. Air cleaner | 18. Seat bearing |
| 3. Fuel filter | 11. Refueling point | 19. Rubber element |
| 4. Hydraulic filter | 12. Scrapers | 20. Battery |
| 5. Hydraulic fluid level | 13. Water tank(s), filling | 21. Pivot bearing |
| 6. Hydraulic fluid, filling | 14. Watering system | 22. Cab, air filter |
| 7. Hydraulic tank cap | 15. Drum gear/Wheel gear | 23. Cab, AC |
| 8. Hydraulic fluid cooler | 16. Drum oil | 24. Edge cutter |
| | | 25. Wheel |



Service Maintenance Overview

Dynapac CC4000VI-CC5200VI Cummins (IV/T4f)

Repair Kits

CC4000VI-CC4200VI					
4812155792	Eccentric shaft kit	4812155792 Eccentric shaft kit (digabit.com)			
4700938891	Drum rotating kit	4700938891 Drum rotation kit (digabit.com)			
4812161597	Shock absorber kit, drum	4812161597 Shock absorber kit, drum (digabit.com)			
4812161594	Scraper blade kit	4812161594 Scraper blade kit (digabit.com)			
CC5200VI					
4700945903	Eccentric shaft kit	4700945903 Eccentric shaft kit (digabit.com)			
4700938891	Drum rotating kit	4700938891 Drum rotation kit (digabit.com)			
4812161597	Shock absorber kit, drum	4812161597 Shock absorber kit, drum (digabit.com)			
4812161595	Scraper blade kit	4812161595 Scraper blade kit (digabit.com)			

General Comments

Inspected By: _____ Signature: _____

To be used as a reference only, always refer to the applicable Operators & Maintenance manual for confirm of correct service kits, lubricants and inspection tasks.



Service Checklist 10 Hours (Daily)



Dynapac CC4000VI-CC5200CVI Cummins (IV/T4f)

Machine Model: _____

Serial Number: _____

Hour Meter Reading: _____

Date of Inspection: _____

Required Service Kits & Lubricants

Nil Required Inspection Only

General Inspection Tasks

Task	OK	Not Ok	Comments
Check Light Functions, Work Lights, Beacon Light, etc.			
Check Function of Window Wipers (if applicable)			
Check Function of Air Conditioner and Heater (if applicable)			
Check Function of Back Up Alarm			
Check Function and Locking of All Doors and Windows (if applicable)			
Check Condition of Seat Belt and Mechanisms			
Check Function of Steering System			
Check Function of All Switches, Gauges and Indicators			
Check All Systems and Functions Operate as Per Operators Manual			
Check Evidence of Leaks in Systems			
Check Drum Scraper Position and Adjustment			
Check Sprinkler System Function			
Check & Clean Free Circulation of Cooling Air			
Check Function of Brake System			
Check Drum Shock Absorbers and Bolts			
Check Cab Mount Rubbers			
Check & Clean Battery Condition			
Check Level Engine Oil			
Check Level Hydraulic Oil			
Check Level Coolant			
Check Main Engine Air Filter Element			
Check Safety Engine Air Filter Element			

General Comments

Inspected By: _____

Signature: _____



Service Checklist 10 Hours (Daily)



To be used as a reference only, always refer to the applicable Operators & Maintenance manual for confirm of correct service kits, lubricants and inspection tasks.

Service Checklist First 50 Hours



Dynapac CC4000VI-CC5200CVI Cummins (IV/T4f)

Machine Model: _____

Serial Number: _____

Hour Meter Reading: _____

Date of Inspection: _____

Required Service Kits & Lubricants

Description	Part Number	Qty
Initial 50 Hour Service Kit	4812160752	1
Nil Lubricants Needed		

General Inspection Tasks

Task	OK	Not Ok	Comments
Check Light Functions, Work Lights, Beacon Light, etc.			
Check Function of Window Wipers (if applicable)			
Check Function of Air Conditioner and Heater (if applicable)			
Check Function of Back Up Alarm			
Check Function and Locking of All Doors and Windows (if applicable)			
Check Condition of Seat Belt and Mechanisms			
Check Function of Steering System			
Check Function of All Switches, Gauges and Indicators			
Check All Systems and Functions Operate as Per Operators Manual			
Check Evidence of Leaks in Systems			
Check Drum Scraper Position and Adjustment			
Check Sprinkler System Function			
Check & Clean Free Circulation of Cooling Air			
Check Function of Brake System			
Check Drum Shock Absorbers and Bolts			
Check Cab Mount Rubbers			
Check & Clean Battery Condition			
Check Level Engine Oil			
Check Level Hydraulic Oil			
Check Level Coolant			
Check Level Drum Oil (Front & Rear)			
Check Main Engine Air Filter Element			
Check Safety Engine Air Filter Element			

Maintenance Tasks

Task	Completed (mark with X)	Comments
Replace Hydraulic Oil Filter		
Tighten Steering Hitch Adjuster Tension		



Service Checklist First 50 Hours



General Comments

Completed By: _____

Signature: _____

To be used as a reference only, always refer to the applicable Operators & Maintenance manual for confirm of correct service kits, lubricants and inspection tasks.



Service Maintenance Overview



Dynapac CC4000VI-CC5200CVI Cummins (IV/T4f)

Machine Model: _____

Serial Number: _____

Hour Meter Reading: _____

Date of Inspection: _____

Required Service Kits & Lubricants

Nil Required Inspection Only

General Inspection Tasks

Task	OK	Not Ok	Comments
Check Light Functions, Work Lights, Beacon Light, etc.			
Check Function of Window Wipers (if applicable)			
Check Function of Air Conditioner and Heater (if applicable)			
Check Function of Back Up Alarm			
Check Function and Locking of All Doors and Windows (if applicable)			
Check Condition of Seat Belt and Mechanisms			
Check Function of Steering System			
Check Function of All Switches, Gauges and Indicators			
Check All Systems and Functions Operate as Per Operators Manual			
Check Evidence of Leaks in Systems			
Check Drum Scraper Position and Adjustment			
Check Sprinkler System Function			
Check & Clean Free Circulation of Cooling Air			
Check Function of Brake System			
Check Drum Shock Absorbers and Bolts			
Check Cab Mount Rubbers			
Check & Clean Battery Condition			
Check Level Hydraulic Oil			
Check Level Coolant			
Check Main Engine Air Filter Element			
Check Safety Engine Air Filter Element			

Maintenance Tasks

Task	Completed (mark with X)	Comments
Grease Controls and Joints		
Grease Edge Cutter		
Check Cab Air Filter, Replace as Required (Optional)		



Service Maintenance Overview



General Comments

Inspected By: _____

Signature: _____

To be used as a reference only, always refer to the applicable Operators & Maintenance manual for confirm of correct service kits, lubricants and inspection tasks.



Service Checklist 500 Hours



Dynapac CC4000VI-CC5200CVI Cummins (IV/T4f)

Machine Model: _____

Serial Number: _____

Hour Meter Reading: _____

Date of Inspection: _____

Required Service Kits & Lubricants

Description	Part Number	Qty
500 Hour Service Kit	4812161474	1
Dynapac Engine Oil 200 (5L)	4812161855	3

General Inspection Tasks

Task	OK	Not Ok	Comments
Check Light Functions, Work Lights, Beacon Light, etc.			
Check Function of Window Wipers (if applicable)			
Check Function of Air Conditioner and Heater (if applicable)			
Check Function of Back Up Alarm			
Check Function and Locking of All Doors and Windows (if applicable)			
Check Condition of Seat Belt and Mechanisms			
Check Function of Steering System			
Check Function of All Switches, Gauges and Indicators			
Check All Systems and Functions Operate as Per Operators Manual			
Check Evidence of Leaks in Systems			
Check Drum Scraper Position and Adjustment			
Check Sprinkler System Function			
Check & Clean Free Circulation of Cooling Air			
Check Function of Brake System			
Check Drum Shock Absorbers and Bolts			
Check Cab Mount Rubbers			
Check & Clean Battery Condition			
Check Level Hydraulic Oil			
Check Level Coolant			
Check/Replace Safety Engine Air Filter Element			
Check Breather Filter on Hydraulic Reservoir			

Maintenance Tasks

Task	Completed (mark with X)	Comments
Replace Engine Oil		
Check Level Drum Oil (Front & Rear)		
Check Level Drum Drive Gearbox Oil (Front & Rear)		
Replace Fuel Filter		



Service Checklist 500 Hours



Replace Fuel Pre-Filter		
-------------------------	--	--

Task Continued	Completed (mark with X)	Comments
Replace Engine Oil Filter		
Replace Main Engine Air Filter Element		
Grease Controls and Joints		
Grease Seat Bearing/Steering Chain		
Grease Edge Cutter		
Grease Pivot Bearing (Offset Models Only)		
Check Cab Air Filter, Replace as Required (Optional)		

General Comments

--

Inspected By: _____

Signature: _____

To be used as a reference only, always refer to the applicable Operators & Maintenance manual for confirm of correct service kits, lubricants and inspection tasks.

Service checklist 1.000 Hours



Dynapac CC4000VI-CC5200CVI Cummins (IV/T4f)

Machine Model: _____

Serial Number: _____

Hour Meter Reading: _____

Date of Inspection: _____

Required Service Kits & Lubricants

Description	Part Number	Qty
1000 Hour Service Kit	4812161475	1
Dynapac Engine Oil 200 (5L)	4812161855	3
Dynapac Drum Oil 1000 (5L)	4812161887	6

General Inspection Tasks

Task	OK	Not Ok	Comments
Check Light Functions, Work Lights, Beacon Light, etc.			
Check Function of Window Wipers (if applicable)			
Check Function of Air Conditioner and Heater (if applicable)			
Check Function of Back Up Alarm			
Check Function and Locking of All Doors and Windows (if applicable)			
Check Condition of Seat Belt and Mechanisms			
Check Function of Steering System			
Check Function of All Switches, Gauges and Indicators			
Check All Systems and Functions Operate as Per Operators Manual			
Check Evidence of Leaks in Systems			
Check Drum Scraper Position and Adjustment			
Check Sprinkler System Function			
Check & Clean Free Circulation of Cooling Air			
Check Function of Brake System			
Check Drum Shock Absorbers and Bolts			
Check Cab Mount Rubbers			
Check & Clean Battery Condition			
Check Level Hydraulic Oil			
Check Level Coolant			
Check Breather Filter on Hydraulic Reservoir			

Maintenance Tasks

Task	Completed (mark with X)	Comments
Replace Engine Oil		
Replace Drum Oil (Front & Rear)		
Replace Fuel Filter		
Replace Fuel Pre-Filter		
Replace Engine Oil Filter		
Replace Hydraulic Oil Filter		



Service checklist 1.000 Hours



Replace Main Engine Air Filter Element		
--	--	--

Task Continued	Completed (mark with X)	Comments
Replace Safety Engine Air Filter Element		
Grease Controls and Joints		
Grease Seat Bearing/Steering Chain		
Grease Edge Cutter		
Grease Pivot Bearing (Offset Models Only)		
Drain Condensate in Hydraulic Reservoir		
Drain Condensate in Fuel Tank		
Check Cab Air Filter, Replace as Required		
Check Engine Drive Belt		
Tighten Steering Hitch Adjuster Tension		

General Comments

Inspected By: _____

Signature: _____

To be used as a reference only, always refer to the applicable Operators & Maintenance manual for confirm of correct service kits, lubricants and inspection tasks.



Service Checklist 2,000 Hours



Dynapac CC4000VI-CC5200CVI Cummins (IV/T4f)

Machine Model: _____

Serial Number: _____

Hour Meter Reading: _____

Date of Inspection: _____

Required Service Kits & Lubricants

Description	Part Number	Qty
2000 Hour Service Kit	4812163273	1
Dynapac Engine Oil 200 (5L)	4812161855	3
Dynapac Coolant 100 (20L)	4812161854	2
Dynapac Hydraulic 300 (20L)	4812161868	4
Dynapac Drum Oil 1000 (5L)	4812161887	6

General Inspections

Task	OK	Not Ok	Comments
Check Light Functions, Work Lights, Beacon Light, etc.			
Check Function of Window Wipers (if applicable)			
Check Function of Air Conditioner and Heater (if applicable)			
Check Function of Back Up Alarm			
Check Function and Locking of All Doors and Windows (if applicable)			
Check Condition of Seat Belt and Mechanisms			
Check Function of Steering System			
Check Function of All Switches, Gauges and Indicators			
Check All Systems and Functions Operate as Per Operators Manual			
Check Evidence of Leaks in Systems			
Check Drum Scraper Position and Adjustment			
Check Sprinkler System Function			
Check & Clean Free Circulation of Cooling Air			
Check Function of Brake System			
Check Drum Shock Absorbers and Bolts			
Check Cab Mount Rubbers			
Check & Clean Battery Condition			

2,000 Hour Service Checklist

Task	Completed (mark with X)	Comments
Replace Engine Oil		
Replace Hydraulic Oil		
Replace Coolant		
Replace Drum Oil (Front & Rear)		
Replace Fuel Filter		
Replace Fuel Pre-Filter		



Service Checklist 2,000 Hours



Replace Engine Oil Filter		
---------------------------	--	--

Task Continued	Completed (mark with X)	Comments
Replace Hydraulic Oil Filter		
Replace Main Engine Air Filter Element		
Replace Safety Engine Air Filter Element		
Replace Breather Filter on Hydraulic Reservoir		
Grease Controls and Joints		
Grease Seat Bearing/Steering Chain		
Grease Edge Cutter		
Grease Pivot Bearing (Offset Models Only)		
Drain Condensate in Hydraulic Reservoir		
Drain Condensate in Fuel Tank		
Check Cab Air Filter, Replace as Required (Optional)		
Check Engine Drive Belt		
Tighten Steering Hitch Adjuster Tension		
Assess Overhaul Air Conditioning (Optional)		

General Comments

Inspected By: _____

Signature: _____

To be used as a reference only, always refer to the applicable Operators & Maintenance manual for confirm of correct service kits, lubricants and inspection tasks.

