

Dynapac CP142 Tier 3

Parts Book

Service Kits & Lubricants

[CP142 Tier 3 s/n 10000500xxB003739 - xxB005439 \(digabit.com\)](http://digabit.com/CP142_Tier_3_s/n_10000500xxB003739-xxB005439)

Service Interval	Service Kit Part Number
Intital 50 Hour Service Kit (Hyd Filter)	4812155996
250/750 Hour Service Kit	4700939076
500 Hour Service Kit	4700950175 / 4812157676
1000 Hour Service Kit	4812155997
2000 Hour Service Kit	4812155997

Lubricant	Part Number	50 Hour Service	250/750 Hour Service	1,000 Hour Service	2,000 Hour Service
Dynapac Engine Oil 200 (5L)	4812161855	2	2	2	2
Dynapac Coolant 100 (20L)	4812161854	N/A	N/A	N/A	1
Dynapac Hydraulic 300 (20L)	4812161868	N/A	N/A	N/A	4

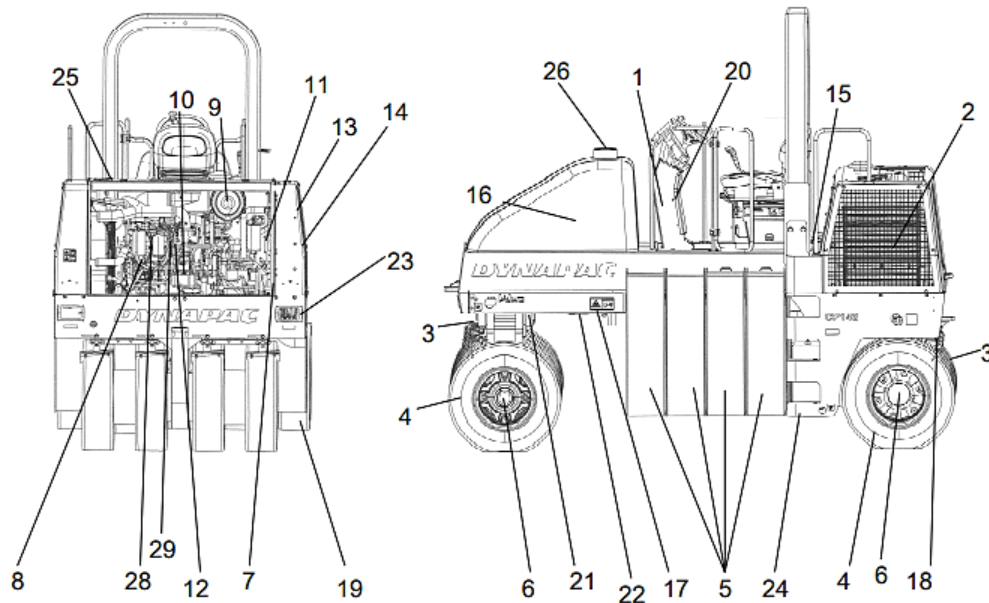


Fig. Service and maintenance points

- | | | |
|--------------------------------------|----------------------------------|--|
| 1. Instrument panel and fuse box. | 11. Engine oil filter | 21. Steering joint - oscillation axles |
| 2. Radiator - (water/oil/charge air) | 12. Fuel filter | 22.. Steering cylinder |
| 3. Scrapers | 13. Hydraulic filter | 23. Refueling |
| 4. Tires | 14. Sight glass, hydraulic fluid | 24. Fuel drainage plug |
| 5. Ballast boxes | 15. Hydraulic fluid, filling | 25. Coolant, filling |
| 6. Wheel nuts | 16. Water tank, sprinkler | 26. Water tank, filling |
| 7. Battery | 17. Water pump | 27. Pre-filter, fuel |
| 8. Fan belt | 18. Sprinkler | 28. Engine valve clearance |
| 9. Air cleaner | 19. Fuel tank | |
| 10. Dipstick, engine oil | 20. Fuse box | |

Repair Kits

Dynapac CP142 Tier 3

Repair Kits

CP142		
4812101629	Scraper Kit	4812101629 Scraper kit (digabit.com)
4812101630	Sprinkler Kit	4812101630 Sprinkler kit (digabit.com)

General Comments

Inspected By: _____ **Signature:** _____

To be used as a reference only, always refer to the applicable Operators & Maintenance manual for confirm of correct service kits, lubricants and inspection tasks.



Service Checklist 10 Hours (Daily)



Dynapac CP142 Tier 3

Machine Model: _____

Serial Number: _____

Hour Meter Reading: _____

Date of Inspection: _____

Required Service Kits & Lubricants

Nil Required Inspection Only

General Inspection Tasks

Task	OK	Not Ok	Comments
Check Light Functions, Work Lights, Beacon Light, etc.			
Check Function of Window Wipers (if applicable)			
Check Function of Air Conditioner and Heater (if applicable)			
Check Function of Back Up Alarm			
Check Function and Locking of All Doors and Windows (if applicable)			
Check Condition of Seat Belt and Mechanisms			
Check Function of Steering System			
Check Function of All Switches, Gauges and Indicators			
Check All Systems and Functions Operate as Per Operators			
Check Evidence of Leaks in Systems			
Check Scraper Position and Adjustment			
Check Sprinkler System Function			
Check&Clean Free Circulation of Cooling Air			
Check Function of Brake System			
Check Tyre Pressure			
Check Cab Mount Rubbers (if applicable)			
Check&Clean Battery Condition			
Check Level Engine Oil			
Check Level Hydraulic Oil			
Check Level Coolant (if applicable)			
Check Main Engine Air Filter Element			
Check Safety Engine Air Filter Element			

General Comments

Inspected By: _____

Signature: _____

To be used as a reference only, always refer to the applicable Operators & Maintenance manual for confirm of correct service kits, lubricants and inspection tasks.



Service Checklist First 50 Hours



Dynapac CP142 Tier 3

Machine Model: _____

Serial Number: _____

Hour Meter Reading: _____

Date of Inspection: _____

Required Service Kits & Lubricants

Description	Part Number	Qty
Initial 50 Hour Service Kit	4812155996	1
Nil Lubricants Needed (included in the above kit)		

General Inspection Tasks

Task	OK	Not Ok	Comments
Check Light Functions, Work Lights, Beacon Light, etc.			
Check Function of Window Wipers (if applicable)			
Check Function of Air Conditioner and Heater (if applicable)			
Check Function of Back Up Alarm			
Check Function and Locking of All Doors and Windows (if applicable)			
Check Condition of Seat Belt and Mechanisms			
Check Function of Steering System			
Check Function of All Switches, Gauges and Indicators			
Check All Systems and Functions Operate as Per Operators			
Check Evidence of Leaks in Systems			
Check Scraper Position and Adjustment			
Check Sprinkler System Function			
Check&Clean Free Circulation of Cooling Air			
Check Function of Brake System			
Check Tyre Pressure			
Check Cab Mount Rubbers (if applicable)			
Check&Clean Battery Condition			
Check Level Engine Oil			
Check Level Hydraulic Oil			
Check Level Coolant (if applicable)			
Check Main Engine Air Filter Element			
Check Safety Engine Air Filter Element			
Check Tightening of Ballast Nuts			
Lubricate Steering Cylinder, Steering Joint and Oscillation			

Maintenance Tasks

Task	Completed (mark with X)	Comments
Replace Engine Oil		
Replace Engine Oil Filter		
Replace Hydraulic Oil Filter		
Replace Fuel Filter		



Service Checklist First 50 Hours



General Comments

Completed By: _____

Signature: _____

To be used as a reference only, always refer to the applicable Operators & Maintenance manual for confirm of correct service kits, lubricants and inspection tasks.



Service Checklist 250 Hours



Dynapac CP142 Tier 3

Machine Model: _____

Serial Number: _____

Hour Meter Reading: _____

Date of Inspection: _____

Required Service Kits & Lubricants

Description	Part Number	Qty
Initial 250/750 Hour Service Kit	4700939076	1
Dynapac Engine Oil 200 (5L)	4812161855	2

General Inspection Tasks

Task	OK	Not Ok	Comments
Check Light Functions, Work Lights, Beacon Light, etc.			
Check Function of Window Wipers (if applicable)			
Check Function of Air Conditioner and Heater (if applicable)			
Check Function of Back Up Alarm			
Check Function and Locking of All Doors and Windows (if applicable)			
Check Condition of Seat Belt and Mechanisms			
Check Function of Steering System			
Check Function of All Switches, Gauges and Indicators			
Check All Systems and Functions Operate as Per Operators			
Check Evidence of Leaks in Systems			
Check Scraper Position and Adjustment			
Check Sprinkler System Function			
Check&Clean Free Circulation of Cooling Air			
Check Function of Brake System			
Check Tyre Pressure			
Check Cab Mount Rubbers (if applicable)			
Check&Clean Battery Condition			
Check Level Engine Oil			
Check Level Hydraulic Oil			
Check Level Coolant (if applicable)			
Check Main Engine Air Filter Element			
Check Safety Engine Air Filter Element			
Clean Radiator			
Check Battery			
Adjust Diesel Engine Valve Clearance			

Maintenance Tasks

Task	Completed (mark with X)	Comments
Replace Engine Oil		
Replace Engine Oil Filter		



Service Checklist 250 Hours



General Comments

Inspected By: _____

Signature: _____

To be used as a reference only, always refer to the applicable Operators & Maintenance manual for confirm of correct service kits, lubricants and inspection tasks.



Service Checklist 500 Hours



Dynapac CP142 Tier 3

Machine Model: _____

Serial Number: _____

Hour Meter Reading: _____

Date of Inspection: _____

Required Service Kits & Lubricants

Description	Part Number	Qty
500 Hour Service Kit	4700950175 / 4812157676	1
Dynapac Engine Oil 200 (5L)	4812161855	2

General Inspection Tasks

Task	OK	Not Ok	Comments
Check Light Functions, Work Lights, Beacon Light, etc.			
Check Function of Window Wipers (if applicable)			
Check Function of Air Conditioner and Heater (if applicable)			
Check Function of Back Up Alarm			
Check Function and Locking of All Doors and Windows (if applicable)			
Check Condition of Seat Belt and Mechanisms			
Check Function of Steering System			
Check Function of All Switches, Gauges and Indicators			
Check All Systems and Functions Operate as Per Operators			
Check Evidence of Leaks in Systems			
Check Scraper Position and Adjustment			
Check Sprinkler System Function			
Check&Clean Free Circulation of Cooling Air			
Check Function of Brake System			
Check Tyre Pressure			
Check Cab Mount Rubbers (if applicable)			
Check&Clean Battery Condition			
Check Level Engine Oil			
Check Level Hydraulic Oil			
Check Level Coolant (if applicable)			
Check Main Engine Air Filter Element			
Check Safety Engine Air Filter Element			
Clean Fuel Pre-filter			
Lubricate Lever			
Drain Sediment in Water Tank			
Check Brake Condition			



Service Checklist 500 Hours



Task	Completed (mark with X)	Comments
Replace Engine Oil		
Replace Fuel Filter		
Grease Seat Bearing/Steering Chain		
Check/Replace Main Engine Air Filter Element		
Check/Replace Safety Engine Air Filter Element		
Grease Controls and Joints		
Grease Seat Bearing/Steering Chain		
Grease Lower Pivot Bearings		
Grease Upper Pivot Bearing		

General Comments

Inspected By: _____

Signature: _____

To be used as a reference only, always refer to the applicable Operators & Maintenance manual for confirm of correct service kits, lubricants and inspection tasks.



Service Checklist 1,000 Hours



Dynapac CP142 Tier 3

Machine Model: _____

Serial Number: _____

Hour Meter Reading: _____

Date of Inspection: _____

Required Service Kits & Lubricants

Description	Part Number	Qty
1000 Hour Service Kit	4812155997	1
Dynapac Engine Oil 200 (5L)	4812161855	2

General Inspection Tasks

Task	OK	Not Ok	Comments
Check Light Functions, Work Lights, Beacon Light, etc.			
Check Function of Window Wipers (if applicable)			
Check Function of Air Conditioner and Heater (if applicable)			
Check Function of Back Up Alarm			
Check Function and Locking of All Doors and Windows (if applicable)			
Check Condition of Seat Belt and Mechanisms			
Check Function of Steering System			
Check Function of All Switches, Gauges and Indicators			
Check All Systems and Functions Operate as Per Operators			
Check Evidence of Leaks in Systems			
Check Scraper Position and Adjustment			
Check Sprinkler System Function			
Check&Clean Free Circulation of Cooling Air			
Check Function of Brake System			
Check Tyre Pressure			
Check Cab Mount Rubbers (if applicable)			
Check&Clean Battery Condition			
Check Level Engine Oil			
Check Level Hydraulic Oil			
Check Level Coolant (if applicable)			
Check Main Engine Air Filter Element			
Check Safety Engine Air Filter Element			
Check Fan, Belt Tension and Alternator			
Replace the Main Filter in Air Cleaner (Optional)			

Maintenance Tasks

Task	Completed (mark with X)	Comments
Replace Engine Oil		
Replace Engine Oil Filter		
Replace Hydraulic Oil Filter		
Grease Controls and Joints		



Service Checklist 1,000 Hours



Task Continued	Completed (mark with X)	Comments
Grease Seat Bearing/Steering Chain		
Grease Controls and Joints		
Grease Lower Pivot Bearings		
Grease Upper Pivot Bearing		
Drain Condensate in Hydraulic Reservoir		
Drain Condensate in Fuel Tank		
Check Engine Drive Belt		

General Comments

Inspected By: _____

Signature: _____

To be used as a reference only, always refer to the applicable Operators & Maintenance manual for confirm of correct service kits, lubricants and inspection tasks.



Service Checklist 2,000 Hours



Dynapac CP142 Tier 3

Machine Model: _____

Serial Number: _____

Hour Meter Reading: _____

Date of Inspection: _____

Required Service Kits & Lubricants

Description	Part Number	Qty
2000 Hour Service Kit	4812155997	1
Dynapac Engine Oil 200 (5L)	4812161855	2
Dynapac Hydraulic 300 (20L)	4812161868	4

General Inspections

Task	OK	Not Ok	Comments
Check Light Functions, Work Lights, Beacon Light, etc.			
Check Function of Window Wipers (if applicable)			
Check Function of Air Conditioner and Heater (if applicable)			
Check Function of Back Up Alarm			
Check Function and Locking of All Doors and Windows (if applicable)			
Check Condition of Seat Belt and Mechanisms			
Check Function of Steering System			
Check Function of All Switches, Gauges and Indicators			
Check All Systems and Functions Operate as Per Operators			
Check Evidence of Leaks in Systems			
Check Scraper Position and Adjustment			
Check Sprinkler System Function			
Check&Clean Free Circulation of Cooling Air			
Check Function of Brake System			
Check Tyre Pressure			
Check Cab Mount Rubbers (if applicable)			
Check&Clean Battery Condition			
Check Level Engine Oil			
Check Level Hydraulic Oil			
Check Level Coolant (if applicable)			
Check Main Engine Air Filter Element			
Check Safety Engine Air Filter Element			
Drain and Clean Water Tank			
Drain and Clean Fuel Tank			
Adjust Diesel Engine Valve Oil and Oil Filter			
Drain, Clean and Refilling Engine Cooling System			

Maintenance Tasks

Task	Completed (mark with x)	Comments
Replace Engine Oil		
Replace Engine Oil Filter		



Service Checklist 2,000 Hours



Task Continued	Completed (mark with X)	Comments
Replace Hydraulic Oil Filter		
Grease Controls and Joints		
Grease Seat Bearing/Steering Chain		
Grease Controls and Joints		
Grease Lower Pivot Bearings		
Grease Upper Pivot Bearing		
Drain Condensate in Hydraulic Reservoir		
Drain Condensate in Fuel Tank		
Check Engine Drive Belt		

General Comments

Inspected By: _____

Signature: _____

To be used as a reference only, always refer to the applicable Operators & Maintenance manual for confirm of correct service kits, lubricants and inspection tasks.

