

## Dynapac CP2700 Tier 4

Parts Book

### Service Kits & Lubricants

[CP2700 Tier 4F s/n 10000512xxB004820 - \(digabit.com\)](http://digabit.com)

Service Kit Part Number (WITH

Service Interval	Service Kit Part Number (NO AOR)	AOR)
Intital 50 Hour Service Kit	4812317433	4812317433
500 Hour Service Kit	4812325061	4812325062
1000 Hour Service Kit	4812325063	4812325064
2000 Hour Service Kit	4812325063	4812325064

Lubricant	Part Number	Qty 50 Hour Service	Qty 250/500 Hour Service	Qty 1,000 Hour Service	Qty 2,000 Hour Service
Dynapac Engine Oil 200 (5L)	4812161855	3	3	3	3
Dynapac Gear Oil 300 (20L)	4812161884	1	N/A	1	1
Dynapac Coolant 100 (20L)	4812161854	N/A	N/A	N/A	1
Dynapac Hydraulic 300 (20L)	4812161868	N/A	N/A	N/A	6

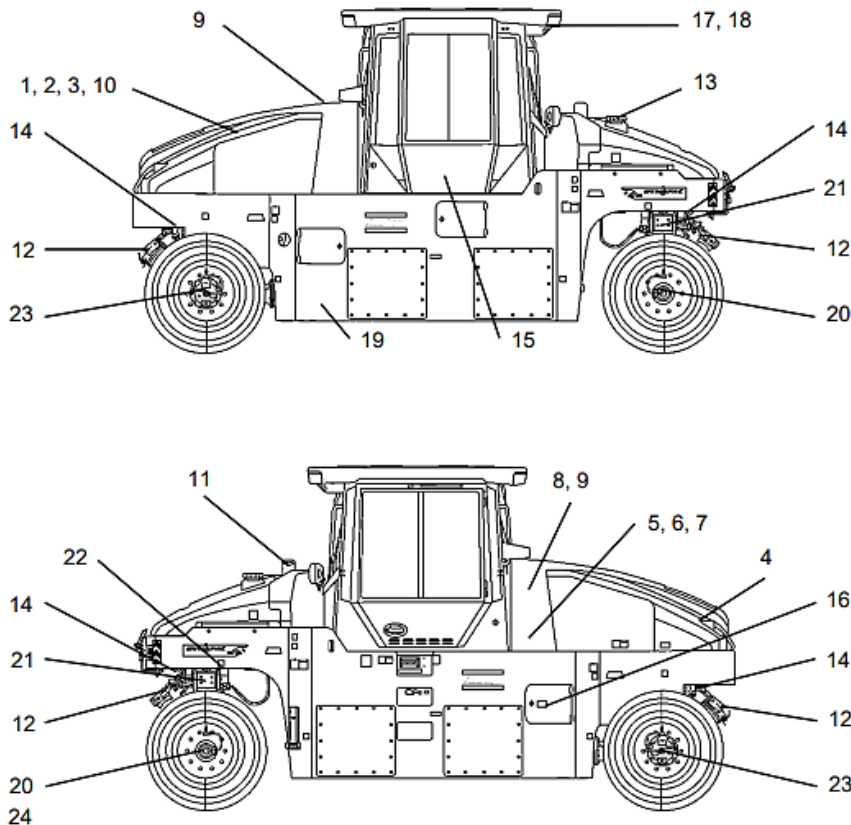


Fig. Service and lubrication points.

- |                            |                         |                          |
|----------------------------|-------------------------|--------------------------|
| 1. Engine oil              | 9. Coolant              | 17. Cab air filter       |
| 2. Oil filter              | 10. Engine air filter   | 18. Cab air conditioning |
| 3. Fuel filter             | 11. Fuel supply         | 19. Edge cutter          |
| 4. Hydraulic oil filter    | 12. Scrapers            | 20. Lower pivot bearing  |
| 5. Hydraulic oil level     | 13. Water supply system | 21. Upper pivot bearing  |
| 6. Hydraulic oil supply    | 14. Sprinkling system   | 22. Pivot bearing        |
| 7. Hydraulic oil reservoir | 15. Seat bearing        | 23. Wheel gear           |
| 8. Hydraulic oil cooler    | 16. Battery             | 24. Wheel hub            |

# Repair Kit

## Dynapac CP2700 Tier 4

### Repair Kits

<b>CP2700</b>		
4812325419 + 4812325420	Scraper Kit + Cocoa Mat Kit	<a href="#">4812325419 4812325420 Scraper kit (digabit.com)</a>
4812155698	Sprinkler Kit	<a href="#">4812155698 Sprinkler kit (digabit.com)</a>
4812155752	AOR Kit Front	<a href="#">4812155752 AOR kit Front (digabit.com)</a>
4812155751	AOR Kit Rear	<a href="#">4812155751 AOR kit Rear (digabit.com)</a>

### General Comments

**Inspected By:** \_\_\_\_\_ **Signature:** \_\_\_\_\_

To be used as a reference only, always refer to the applicable Operators & Maintenance manual for confirm of correct service kits, lubricants and inspection tasks.



# Service Checklist 10 Hours (Daily)



## Dynapac CP2700 Tier 4

Machine Model: \_\_\_\_\_

Serial Number: \_\_\_\_\_

Hour Meter Reading: \_\_\_\_\_

Date of Inspection: \_\_\_\_\_

### Required Service Kits & Lubricants

Nil Required Inspection Only

### General Inspection Tasks

Task	OK	Not Ok	Comments
Check Light Functions, Work Lights, Beacon Light, etc.			
Check Function of Window Wipers (if applicable)			
Check Function of Air Conditioner and Heater (if applicable)			
Check Function of Back Up Alarm			
Check Function and Locking of All Doors and Windows (if applicable)			
Check Condition of Seat Belt and Mechanisms			
Check Function of Steering System			
Check Function of All Switches, Gauges and Indicators			
Check All Systems and Functions Operate as Per Operators Manual			
Check Evidence of Leaks in Systems			
Check Scraper Position and Adjustment			
Check Sprinkler System Function			
Check & Clean Free Circulation of Cooling Air			
Check Function of Brake System			
Check Tyre Pressure			
Check Level Engine Oil			
Check Level Hydraulic Oil			
Check Level Coolant			
Check Main Engine Air Filter Element			
Check Safety Engine Air Filter Element			

### General Comments

Inspected By: \_\_\_\_\_

Signature: \_\_\_\_\_

To be used as a reference only, always refer to the applicable Operators & Maintenance manual for confirm of correct service kits, lubricants and inspection tasks.



# Service Checklist First 50 Hours



## Dynapac CP2700 Tier 4

Machine Model: \_\_\_\_\_

Serial Number: \_\_\_\_\_

Hour Meter Reading: \_\_\_\_\_

Date of Inspection: \_\_\_\_\_

### Required Service Kits & Lubricants

Description	Part Number	Qty
Initial 50 Hour Service Kit	4812155998	1
Dynapac Engine Oil 200 (5L)	4812161855	3
Dynapac Gear Oil 300 (20L)	4812161884	1

### General Inspection Tasks

Task	OK	Not Ok	Comments
Check Light Functions, Work Lights, Beacon Light, etc.			
Check Function of Window Wipers (if applicable)			
Check Function of Air Conditioner and Heater (if applicable)			
Check Function of Back Up Alarm			
Check Function and Locking of All Doors and Windows (if applicable)			
Check Condition of Seat Belt and Mechanisms			
Check Function of Steering System			
Check Function of All Switches, Gauges and Indicators			
Check All Systems and Functions Operate as Per Operators Manual			
Check Evidence of Leaks in Systems			
Check Scraper Position and Adjustment			
Check Sprinkler System Function			
Check & Clean Free Circulation of Cooling Air			
Check Function of Brake System			
Check Tyre Pressure			
Check Wheel Nut Tension			
Check Cab Mount Rubbers			
Check & Clean Battery Condition			
Check Level Hydraulic Oil			
Check Level Coolant			
Check Main Engine Air Filter Element			
Check Safety Engine Air Filter Element			

### Maintenance Tasks

Task	Completed (mark with X)	Comments
Replace Engine Oil		
Replace Rear T Drive Gearbox (Left & Right)		
Replace Fuel Filter		
Replace Fuel Pre-Filter		
Replace Engine Oil Filter		



# Service Checklist First 50 Hours



Task Continued	Completed (mark with X)	Comments
Replace Hydraulic Oil Filter		
Grease Lower Pivot Bearings		
Grease Upper Pivot Bearing		

## General Comments

Completed By: \_\_\_\_\_

Signature: \_\_\_\_\_

To be used as a reference only, always refer to the applicable Operators & Maintenance manual for confirm of correct service kits, lubricants and inspection tasks.



# Service Checklist 250 Hours



## Dynapac CP2700 Tier 4

Machine Model: \_\_\_\_\_

Serial Number: \_\_\_\_\_

Hour Meter Reading: \_\_\_\_\_

Date of Inspection: \_\_\_\_\_

### Required Service Kits & Lubricants

Nil Required Inspection Only

### General Inspection Tasks

Task	OK	Not Ok	Comments
Check Light Functions, Work Lights, Beacon Light, etc.			
Check Function of Window Wipers (if applicable)			
Check Function of Air Conditioner and Heater (if applicable)			
Check Function of Back Up Alarm			
Check Function and Locking of All Doors and Windows (if applicable)			
Check Condition of Seat Belt and Mechanisms			
Check Function of Steering System			
Check Function of All Switches, Gauges and Indicators			
Check All Systems and Functions Operate as Per Operators Manual			
Check Evidence of Leaks in Systems			
Check Scraper Position and Adjustment			
Check Sprinkler System Function			
Check & Clean Free Circulation of Cooling Air			
Check Function of Brake System			
Check Tyre Pressure			
Check Wheel Nut Tension			
Check Cab Mount Rubbers			
Check & Clean Battery Condition			
Check Level Hydraulic Oil			
Check Level Coolant			
Check Main Engine Air Filter Element			
Check Safety Engine Air Filter Element			

### Maintenance Tasks

Task	Completed (mark with X)	Comments
Replace Engine Oil		
Replace Engine Oil Filter		
Grease Controls and Joints		
Grease Lower Pivot Bearings		



# Service Checklist 250 Hours



Task Continued	Completed (mark with X)	Comments
Grease Upper Pivot Bearing		
Check Cab Air Filter, Replace as Required		
Replace Air Dryer Filter		

## General Comments

Inspected By: \_\_\_\_\_

Signature: \_\_\_\_\_

To be used as a reference only, always refer to the applicable Operators & Maintenance manual for confirm of correct service kits, lubricants and inspection tasks.



# Service Checklist 500 Hours



## Dynapac CP2700 Tier 4

Machine Model: \_\_\_\_\_

Serial Number: \_\_\_\_\_

Hour Meter Reading: \_\_\_\_\_

Date of Inspection: \_\_\_\_\_

### Required Service Kits & Lubricants

Description	Part Number	Qty
500 Hour Service Kit	4812325061 (No AOR)	1
	4812325062 (With AOR)	
Dynapac Engine Oil 200 (5L)	4812161855	3

### General Inspection Tasks

Task	OK	Not Ok	Comments
Check Light Functions, Work Lights, Beacon Light, etc.			
Check Function of Window Wipers (if applicable)			
Check Function of Air Conditioner and Heater (if applicable)			
Check Function of Back Up Alarm			
Check Function and Locking of All Doors and Windows (if applicable)			
Check Condition of Seat Belt and Mechanisms			
Check Function of Steering System			
Check Function of All Switches, Gauges and Indicators			
Check All Systems and Functions Operate as Per Operators			
Check Evidence of Leaks in Systems			
Check Scraper Position and Adjustment			
Check Sprinkler System Function			
Check&Clean Free Circulation of Cooling Air			
Check Function of Brake System			
Check Tyre Pressure			
Check Wheel Nut Tension			
Check Cab Mount Rubbers			
Check&Clean Battery Condition			
Check Level Hydraulic Oil			
Check Level Coolant			
Check/Replace Main Engine Air Filter Element			
Check/Replace Safety Engine Air Filter Element			

### Maintenance Tasks

Task	Completed (mark with x)	Comments
Replace Engine Oil		
Replace Fuel Filter		
Replace Fuel Pre-Filter		
Replace Engine Oil Filter		
Grease Controls and Joints		





# Service Checklist 500 Hours



Task Continued	Completed (mark with X)	Comments
Grease Seat Bearing/Steering Chain		
Grease Lower Pivot Bearings		
Grease Upper Pivot Bearing		
Check Cab Air Filter, Replace as Required		
Replace Air Dryer Filter		

## General Comments

Inspected By: \_\_\_\_\_

Signature: \_\_\_\_\_

To be used as a reference only, always refer to the applicable Operators & Maintenance manual for confirm of correct service kits, lubricants and inspection tasks.



# Service Checklist 1,000 Hours



## Dynapac CP2700 Tier 4

Machine Model: \_\_\_\_\_

Serial Number: \_\_\_\_\_

Hour Meter Reading: \_\_\_\_\_

Date of Inspection: \_\_\_\_\_

### Required Service Kits & Lubricants

Description	Part Number	Qty
1000 Hour Service Kit	4812325063 (No AOR)	1
	4812325064 (With AOR)	1
Dynapac Engine Oil 200 (5L)	4812161855	3
Dynapac Gear Oil 300 (5L)	4812161884	1
Cabin Air Filter	4700395818	1

### General Inspection Tasks

Task	OK	Not Ok	Comments
Check Light Functions, Work Lights, Beacon Light, etc.			
Check Function of Window Wipers (if applicable)			
Check Function of Air Conditioner and Heater (if applicable)			
Check Function of Back Up Alarm			
Check Function and Locking of All Doors and Windows (if applicable)			
Check Condition of Seat Belt and Mechanisms			
Check Function of Steering System			
Check Function of All Switches, Gauges and Indicators			
Check All Systems and Functions Operate as Per Operators			
Check Evidence of Leaks in Systems			
Check Scraper Position and Adjustment			
Check Sprinkler System Function			
Check&Clean Free Circulation of Cooling Air			
Check Function of Brake System			
Check Tyre Pressure			
Check Wheel Nut Tension			
Check Cab Mount Rubbers			
Check&Clean Battery Condition			
Check Level Hydraulic Oil			
Check Level Coolant			

### Maintenance Tasks

Task	Completed (mark with X)	Comments
Replace Engine Oil		
Replace Rear T Drive Gearbox (Left & Right)		
Replace Fuel Filter		
Replace Fuel Pre-Filter		
Replace Engine Oil Filter		
Replace Hydraulic Oil Filter		
Replace Main Engine Air Filter Element		



# Service Checklist 1,000 Hours



Task Continued	Completed (mark with X)	Comments
Replace Safety Engine Air Filter Element		
Replace Breather Filter on Hydraulic Reservoir		
Grease Controls and Joints		
Grease Seat Bearing/Steering Chain		
Grease Lower Pivot Bearings		
Grease Upper Pivot Bearing		
Drain Condensate in Hydraulic Reservoir		
Drain Condensate in Fuel Tank		
Check Cab Air Filter, Replace as Required		
Replace Air Dryer Filter (AOR ONLY)		
Check Engine Drive Belt		
Check Engine Valve Clearance		

## General Comments

Inspected By: \_\_\_\_\_

Signature: \_\_\_\_\_

To be used as a reference only, always refer to the applicable Operators & Maintenance manual for confirm of correct service kits, lubricants and inspection tasks.



# Service Checklist 2,000 Hours



## Dynapac CP2700 Tier 4

Machine Model: \_\_\_\_\_

Serial Number: \_\_\_\_\_

Hour Meter Reading: \_\_\_\_\_

Date of Inspection: \_\_\_\_\_

### Required Service Kits & Lubricants

Description	Part Number	Qty
2000 Hour Service Kit	4812325063 (No AOR)	1
	4812325064 (With AOR)	1
Dynapac Engine Oil 200 (5L)	4812161855	3
Dynapac Gear Oil 300 (5L)	4812161884	1
Cabin Air Filter	4700395818	1
Dynapac Coolant 100 (20L)	4812161854	1
Dynapac Hydraulic 300 (20L)	4812161868	6

### General Inspections

Task	OK	Not Ok	Comments
Check Light Functions, Work Lights, Beacon Light, etc.			
Check Function of Window Wipers (if applicable)			
Check Function of Air Conditioner and Heater (if applicable)			
Check Function of Back Up Alarm			
Check Function and Locking of All Doors and Windows (if applicable)			
Check Condition of Seat Belt and Mechanisms			
Check Function of Steering System			
Check Function of All Switches, Gauges and Indicators			
Check All Systems and Functions Operate as Per Operators Manual			
Check Evidence of Leaks in Systems			
Check Scraper Position and Adjustment			
Check Sprinkler System Function			
Check&Clean Free Circulation of Cooling Air			
Check Function of Brake System			
Check Tyre Pressure			
Check Wheel Nut Tension			
Check Cab Mount Rubbers			
Check&Clean Battery Condition			

### Maintenance Tasks

Task	Completed (mark with X)	Comments
Replace Engine Oil		
Replace Hydraulic Oil		
Replace Coolant		
Replace Rear T Drive Gearbox (Left & Right)		
Replace Fuel Filter		
Replace Fuel Pre-Filter		



# Service Checklist 2,000 Hours



Task Continued	Completed (mark with X)	Comments
Replace Engine Oil Filter		
Replace Hydraulic Oil Filter		
Replace Main Engine Air Filter Element		
Replace Safety Engine Air Filter Element		
Replace Breather Filter on Hydraulic Reservoir		
Grease Controls and Joints		
Grease Seat Bearing/Steering Chain		
Grease Lower Pivot Bearings		
Grease Upper Pivot Bearing		
Drain Condensate in Hydraulic Reservoir		
Drain Condensate in Fuel Tank		
Drain&Clean Water Tank		
Clean Sprinkler System		
Check Cab Air Filter, Replace as Required		
Replace Air Dryer Filter (AOR ONLY)		
Check Engine Drive Belt		
Check Engine Valve Clearance		
Assess Overhaul Air Conditioning (Optional)		

## General Comments

Inspected By: \_\_\_\_\_

Signature: \_\_\_\_\_

To be used as a reference only, always refer to the applicable Operators & Maintenance manual for confirm of correct service kits, lubricants and inspection tasks.

